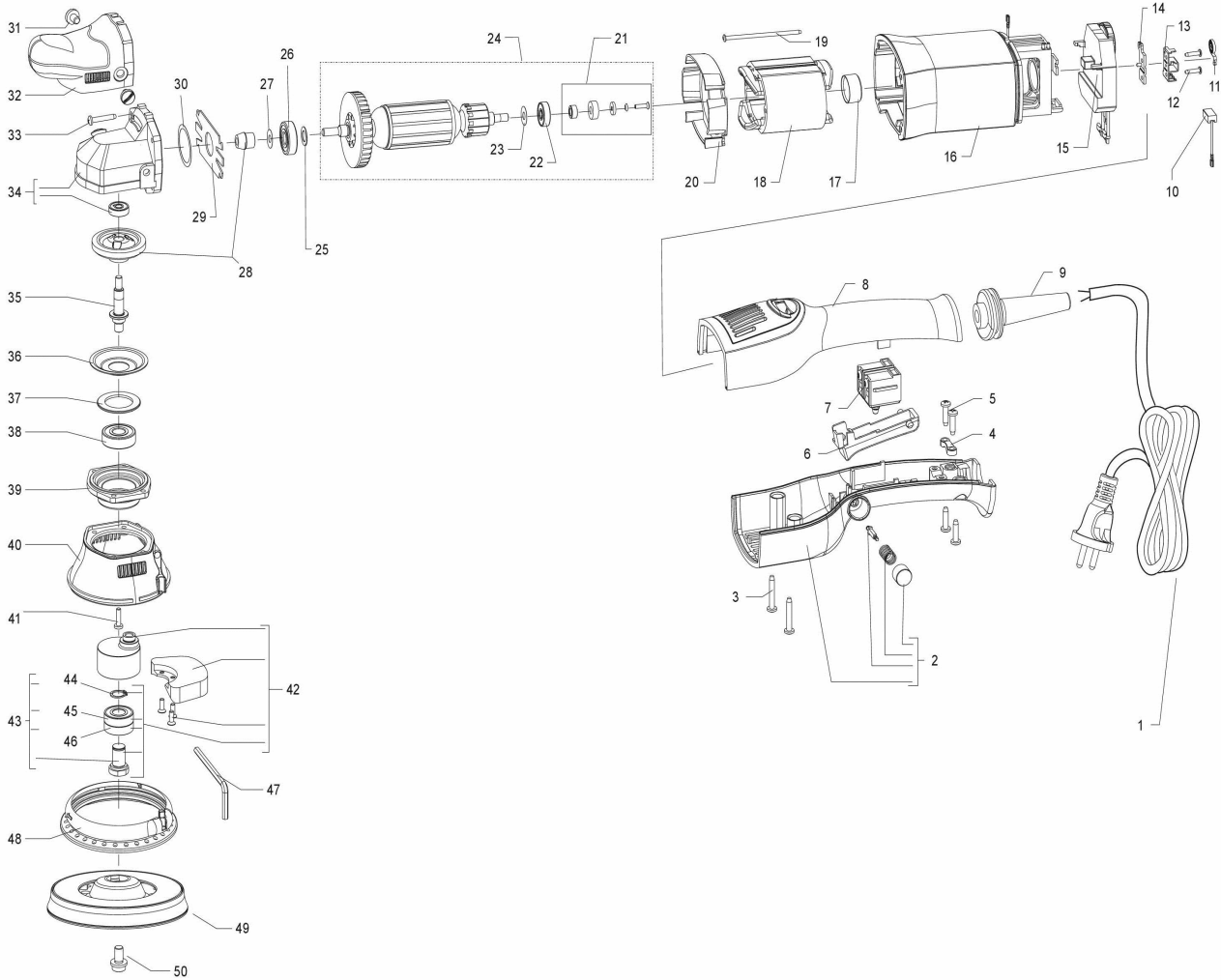


LUCIDATRICE ROTORBITALI RANDOM-ORBITAL POLISHER

LHR15ES



| ID | ITEM | DESCRIPTION |
|-----|----------------|--|
| 001 | 9C2X0,8VUS9 | CAVO 2x18AWG spina AMERICANA polarizzata R21 9mt. |
| 001 | 9C2X1,0N489 | CABLE 2X1 (plug Schuko d4,8) mt.9 H07RN-F FLEX |
| 001 | 9C2X1,0NGB4FOR | CABLE 2X1 (plug UK) with fork H07RN-F CENTRAL METAL PLUG |
| 001 | 9C2X1,0R404FOR | CABLE 2X1 (plug D4) H07RN-F mt.4 with fork (only Swiss) |
| 001 | 9C2X1,0RAR4FOR | CABLE 2X1 (plug Argentina) mt.4 with fork |
| 001 | 9C2X1,25VJA9 | CABLE 2x1,25 (plug JAPAN) mt.9 |
| 001 | 9C2X1,0NAU9FOR | CABLE 2X1 (plug Australia) H07RN-F mt.9 |
| 002 | 44.285/C | COMPLETE LOWER HANDLE (blocco a/c) |
| 002 | 44.285/UL | IMPUGNATURA INF. LHR21E materiale UL |
| 003 | 9.552 | SCREW 3,9x25 (7x1") T.C.C. |
| 004 | 442.55 | CABLE CLAMP |
| 005 | 9.660 | SCREW 3,9x16 (7x5/8") T.C.C. |
| 006 | 38.286 | SWITCH BUTTON (clamp open/close) |
| 007 | 45.284/UL | SWITCH 8(8) max 250V |
| 007 | 45.284/UL | SWITCH 8(8) max 250V |
| 008 | 441.285/E/UL | UPPER HANDEL FOR ELECTRONICS (UL material) |
| 008 | 441.285/E | UPPER HANDEL FOR ELECTRONICS |
| 009 | 42.290 | CABLE SLEEVE SS31TE |
| 010 | 47.105/10 | BLISTER WITH 10 PC. BRUSHES BA215 |
| 011 | 461.105 | SPRING BRUSH HOLDER BA21 BURNISHED |
| 012 | 9.551 | SCREW 2,9x13 (4x1/2") T.C.C. |
| 013 | 46.105 | BRUSH HOLDER BA215-LH18ENS |
| 014 | 462.105 | BRUSH HOLDER PLATE |
| 015 | 400.246/C | ELECTRONIC MODULE |
| 015 | 400.246/60HZ/C | ELECTRONIC MODULE |
| 016 | 31.284/UL | MOTOR BODY(UL material) |
| 016 | 31.284 | MOTOR BODY |
| 017 | 268.105 | BEARING CAP |
| 018 | 2.245/120S | STATOR (V.120) |
| 018 | 2.245/230S | STATOR (V.230) |
| 018 | 2.245/100S | STATOR (V.100) |
| 019 | 9.787 | SCREW 2,9x70 T.C.C. |
| 020 | 73.284 | AIR BULKHEAD |
| 021 | 405.322/C | COMPLETE MAGNET |
| 022 | 9.14/10 | BEARING 626ZZ |
| 023 | 9.318 | STEEL WASHER d15 x 6,1 s 0,15 |
| 024 | 1.245/230S/C | ROTOR (V.230) |
| 024 | 1.245/120S/C | ROTOR (ARMATURE) 120V |
| 024 | 1.245/100S/C | ROTOR (V.100-110) |
| 025 | 9.298 | STEEL WASHER d15 x 9,1 s 0,5 |
| 026 | 9.187/10 | BEARING 629 2BRS R66 FA227 |
| 027 | 9.318 | STEEL WASHER d15 x 6,1 s 0,15 |
| 028 | 50.245 | GEAR SET |
| 029 | 351.105 | MOTOR BODY LITTLE COVER |
| 030 | 9.364 | STEEL WASHER d25,9x21 s 0,1 |
| 031 | 812.91 | SCREW M8 x 15 T.C.IN NYLON A T. |
| 032 | 816.246/C | COMPLETE FRONT HOUSING |
| 033 | 9.679 | SCREW 4,2x25 (8x1") T.C.C. |
| 034 | 32.245/C/31 | GEAR BOX WITH BUTTON |
| 035 | 51.245 | SPINDLE SHAFT |
| 036 | 35.105 | FLANGE PLATE BA21-SL41 |
| 037 | 54.245 | SPACER GEAR BOX |
| 038 | 9.184/10 | BEARING 6201 2BRS R66 FA227 |
| 039 | 33.245 | FLANGE |
| 040 | 65.245 | PROTECTIVE CAP |
| 041 | 9.835 | SCREW M4 x 20 T.C.C. 8G BURNISHED + |

| ID | ITEM | DESCRIPTION |
|-----|------------|--|
| 042 | 58.196N/C | ECCENTRIC ASSEMBLY |
| 043 | 56.245N/C | ECCENTRIC SHAFT ASSEMBLY |
| 044 | 9.102 | SEEGER d 12 TIPO E DIN 471 CR3 PHOSPHATE |
| 045 | 9.175/10 | BEARING 6001 ZZ-C3 |
| 046 | 9.182/10 | BEARING 6001 DDWCM J NS75Z |
| 047 | 9.1395 | ALLEN SPANNER 5mm |
| 048 | 651.246 | RUBBER SHROUD LHR15 |
| 049 | 980.027N/5 | BOX 5pcs Ø 125mm PAD VELCRO M8 FOR LHR15ES |
| 050 | 9.715 | SCREW M8 x 16 T.B. ZINC-PLATED WITH WASHER |